

INSTRUCTION: Use this form to order any Buffalo Forge pre-hung entryway that is shown in our Buffalo Forge catalog. Be sure to use the stock number shown under the product drawing in the catalog.

CONTACT INFORMATION:

■ **Company Name:** _____

■ **Address:** _____

■ **City, State, Zip:** _____

■ **Contact Name:** _____ **PO #** _____

■ **Phone:** _____ **Contact's Email:** _____

Entryway **Stock #** from Buffalo Forge Catalog _____ **Page #** _____

Section 1: Size Information (Refer to sizes listed in price lists for availability of specific door widths for each entry configuration.)

Door Width: 36" 42"

Glass Selection: Clear Rain Ice Flower Ocean Reeds

Section 2: Pre-finish Information

Finish Color: Black Satin French Grey Satin Oil Rubbed Bronze Satin

Antique Pale Bronze Antique Pewter Grey Antique Copper Bronze

Section 3: Pre-hang Information

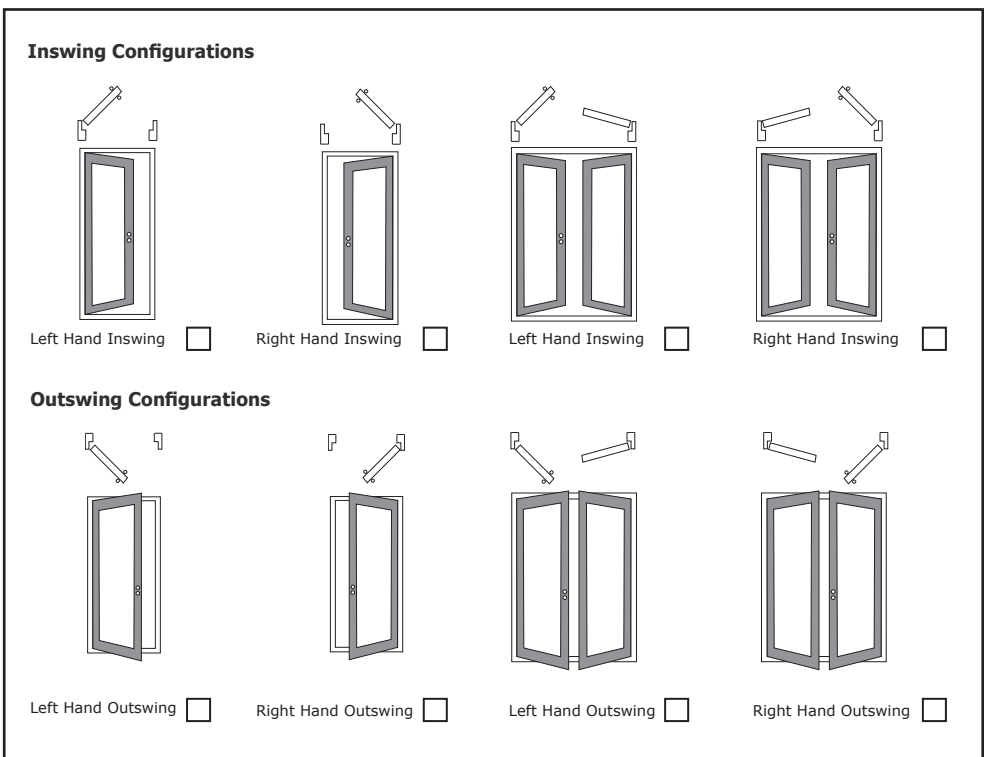
Refer to our door handing chart at right to select your handing option.
PLEASE NOTE: Handings are to be acknowledged from the exterior looking in. GCDC designations could be different from what you are accustomed to. Please double check according to the images provided.

Sill Color is Bronze
Jamb Width: 4 5/8" 6 5/8"

All active doors are double bored
2 1/8" diameter center-to-center
distance is 5 1/2", with a
2 3/4" backset.

Copy this form and email to:
orderentry@glasscraft.com
or fax to: 713-690-2919

(Please include Subject line:
Order Form)



Section 4: Handle Set & Additional Information

Handle Set: No Yes, Handle Set Part #: _____ (Refer to pg 58 of most recent Buffalo Forge Catalog)

Additional Information or Special Instructions:

Shipping Information:

Entry will be picked up from GlassCraft assembled. Entry will be shipped assembled and crated.

See price list for shipping and crating charge information.

GlassCraft Door Company does not warranty the installation and alignment of any Buffalo Forge Door unit. All units have been fully assembled and the complete door panel, frame and glass panel operation and alignment is certified to be within all manufacturer's specifications.

I understand that GlassCraft Door Company is not responsible for the installation, job site operation and alignment of this Buffalo Forge order.

I accept this order.

IMPORTANT: Changes or cancellations made to this order after signed confirmation is received by GlassCraft may result in additional charges.

Signature

Date

SUBMIT THIS FORM:

- Use the Submit button to send form
- Or Email to: orderentry@glasscraft.com
- Or Fax to: 713-690-2919

PLEASE NOTE: The ability to submit this form using the Submit button may be limited by your computer setup. If you are unable to submit the form using the Submit button. Please save the file to your computer and send it to orderentry@glasscraft.net

GlassCraft Use Only:

Received on: _____

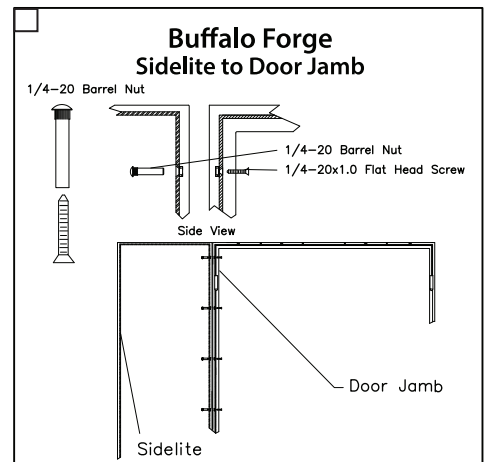
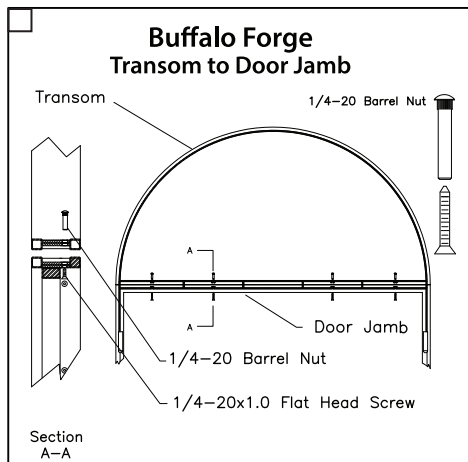
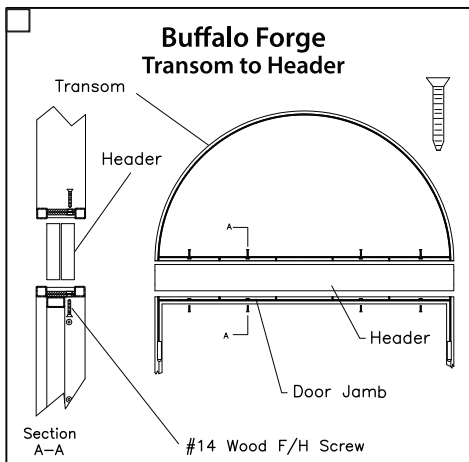
Confirmed on: _____

Price quotation: _____

Estimated Ship Date: _____

CSR Initials: _____

Buffalo Forge Transom & Sidelite Installation Instructions



If ordering a transom, please check the box of the installation method to be used.